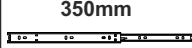

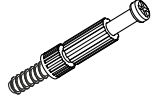


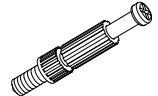


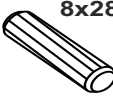






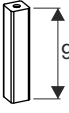
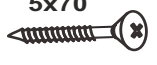
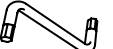


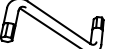


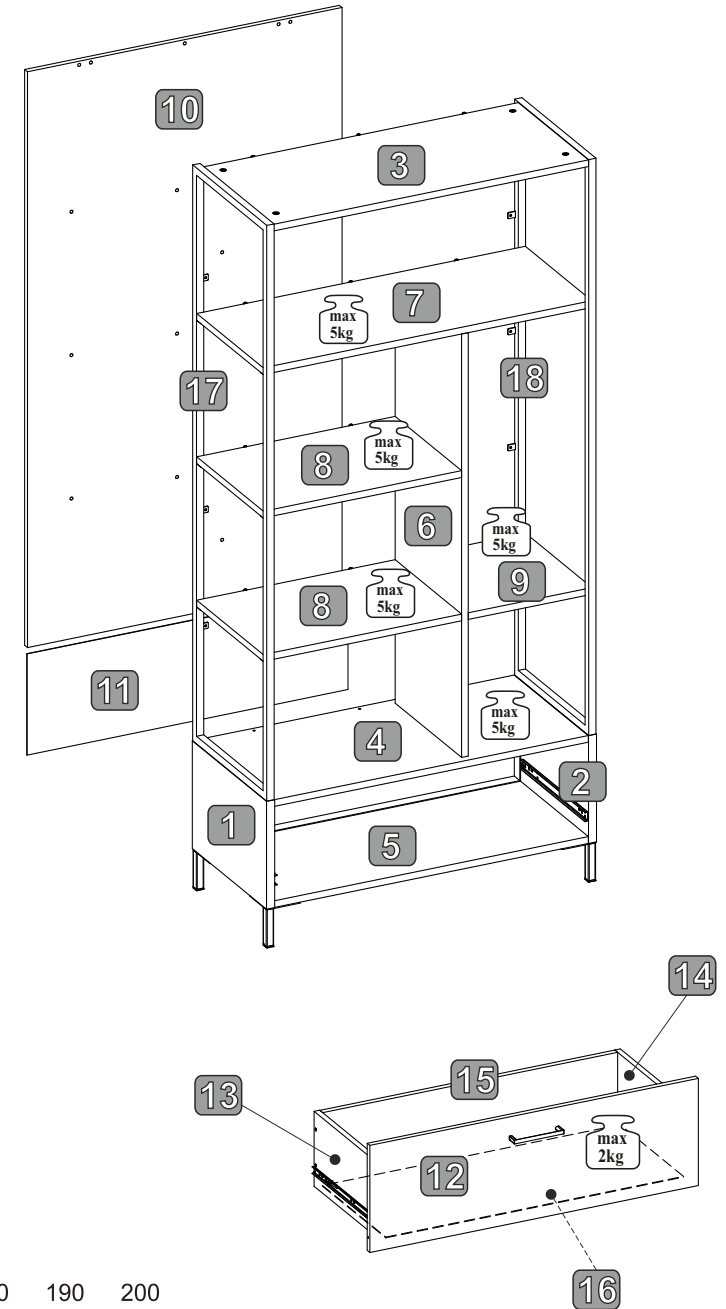
 15x12 33x T02	 350mm 2x P06	 4x16 16x W25
 25x T01	 3,5x13 14x W02	 350mm 1x F50
 8x T04	 1x S42	 8x R01
 8x28 30x D01	 4x25 2x W28	 1x P01
 7x50 14x W15	 4x N05	 4x13 20x W07
 5x40 4x W16	 97mm 4x N06	 5x70 1x F11
 Z3 1x K02	 4x S10	 1x F01
 Z4 1x K03	 M5-20 4x NS1	 Ø20 18x C01

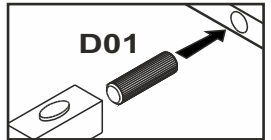
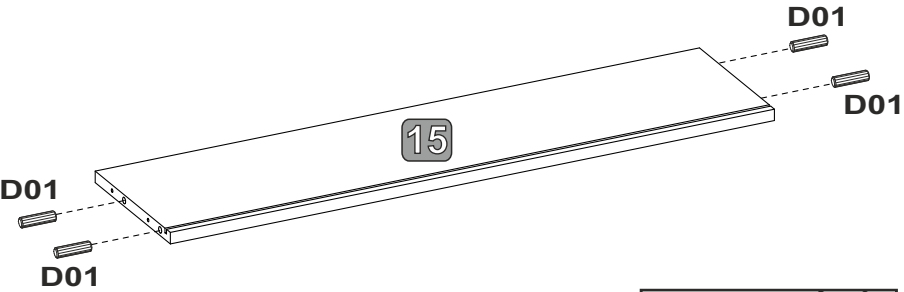
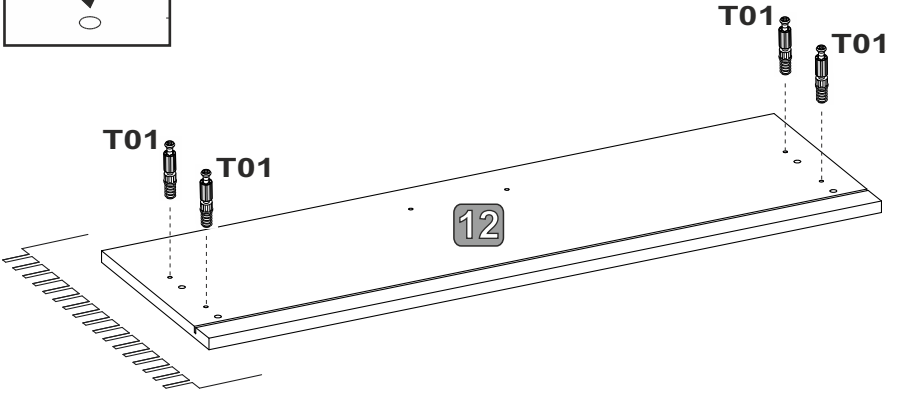
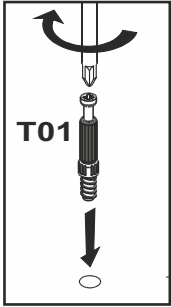
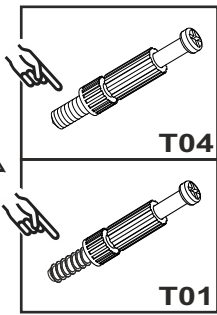
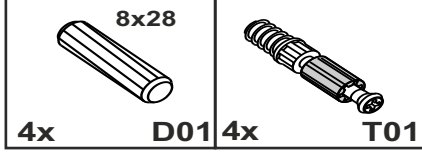
NR	DIM	QTE	COLLI
1	405x288x22	1	1/3
2	405x288x22	1	1/3
3	858x383x18	1	1/3
4	856x404x18	1	1/3
5	856x404x18	1	1/3
6	1131x363x18	1	2/3
7	896x363x18	1	2/3
8	541x363x18	2	2/3
9	337x363x18	1	2/3
10	1534x858x15	1	2/3
11	875x270x2	1	1/3
12	896x286x15	1	1/3
13	350x200x15	1	1/3
14	350x200x15	1	1/3
15	805x200x15	1	1/3
16	816x347x2	1	1/3
17	1538x404x20	1	3/3
18	1538x404x20	1	3/3



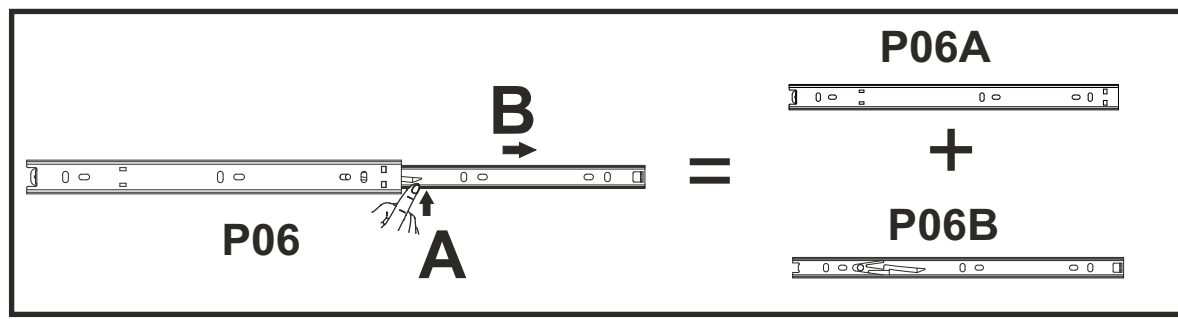
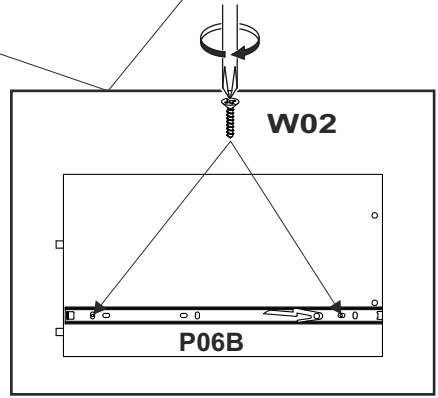
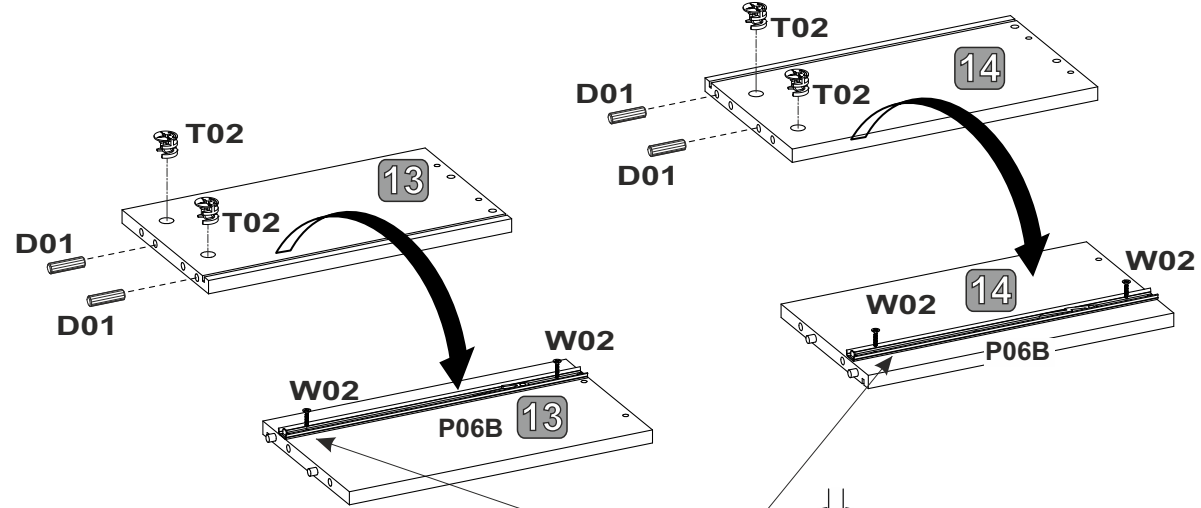
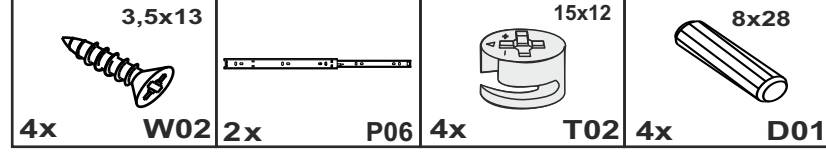
0 10 20 30 40 50 60 70 80 90 100 110 120 130 140 150 160 170 180 190 200



1

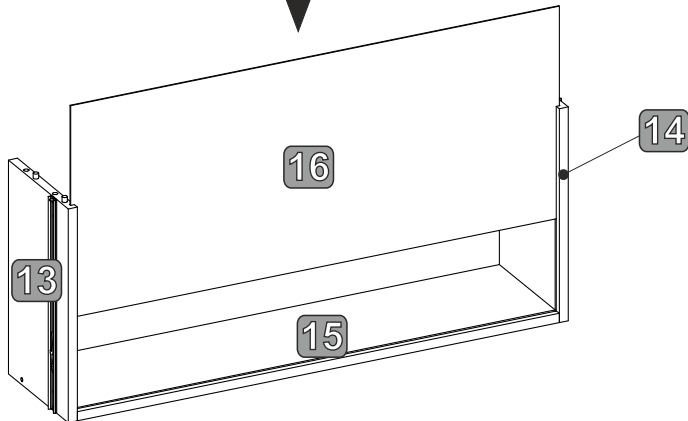
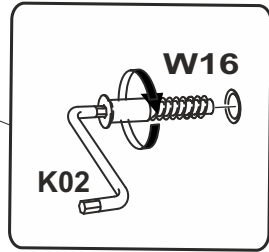
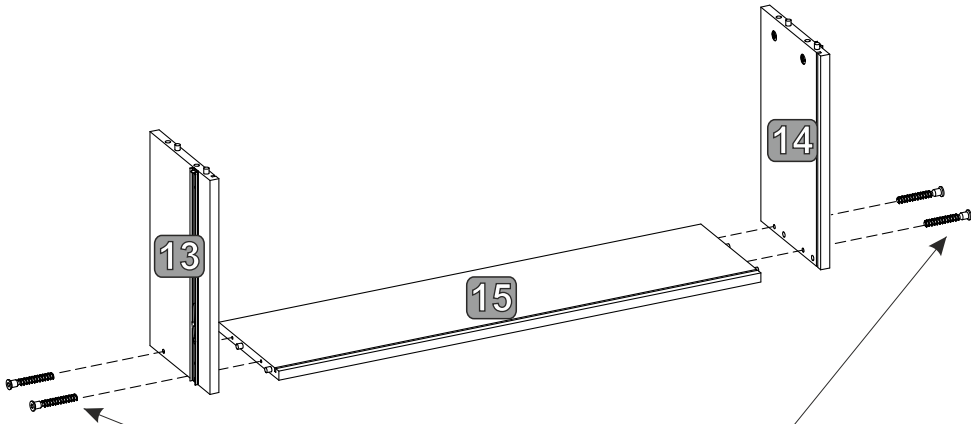


2



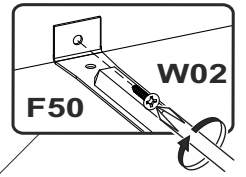
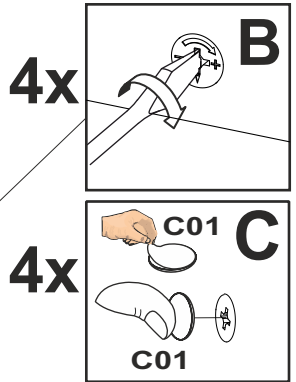
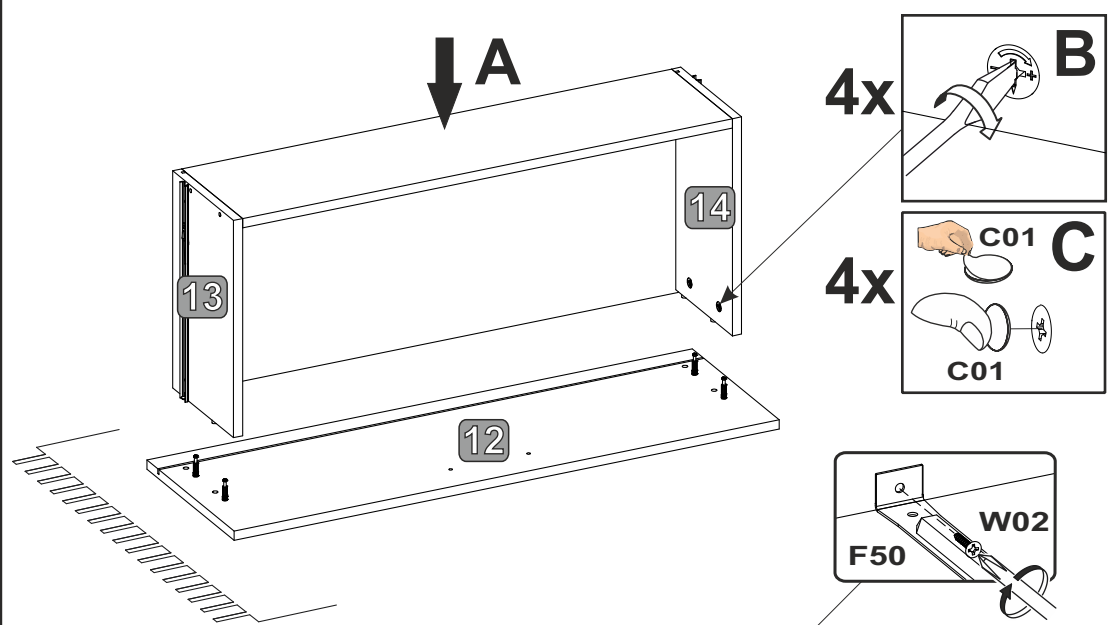
3

- 5x40
4x W16
- 1x K02

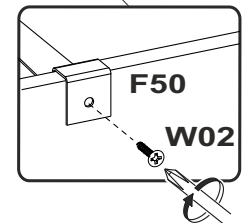
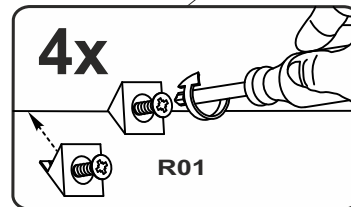
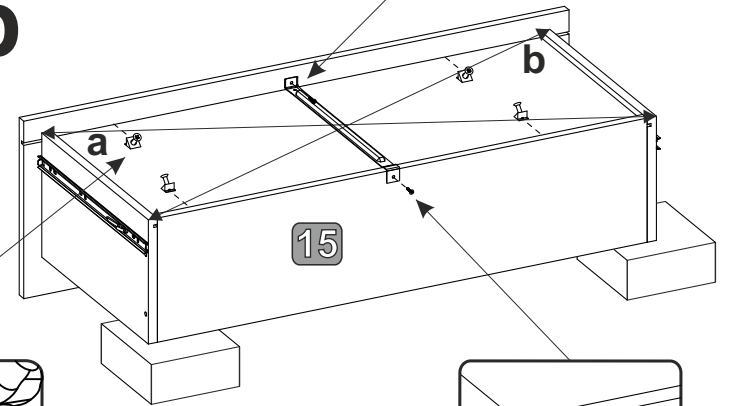


4

- 4x R01
- 2x 3,5x13 W02
- 1x 350mm F50
- 4x Ø20 C01

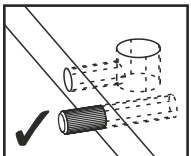
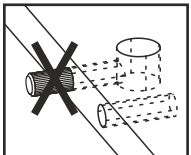
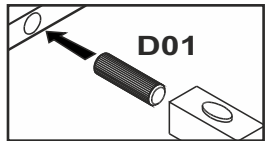
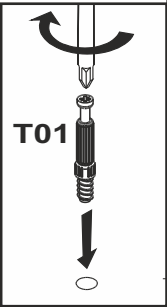
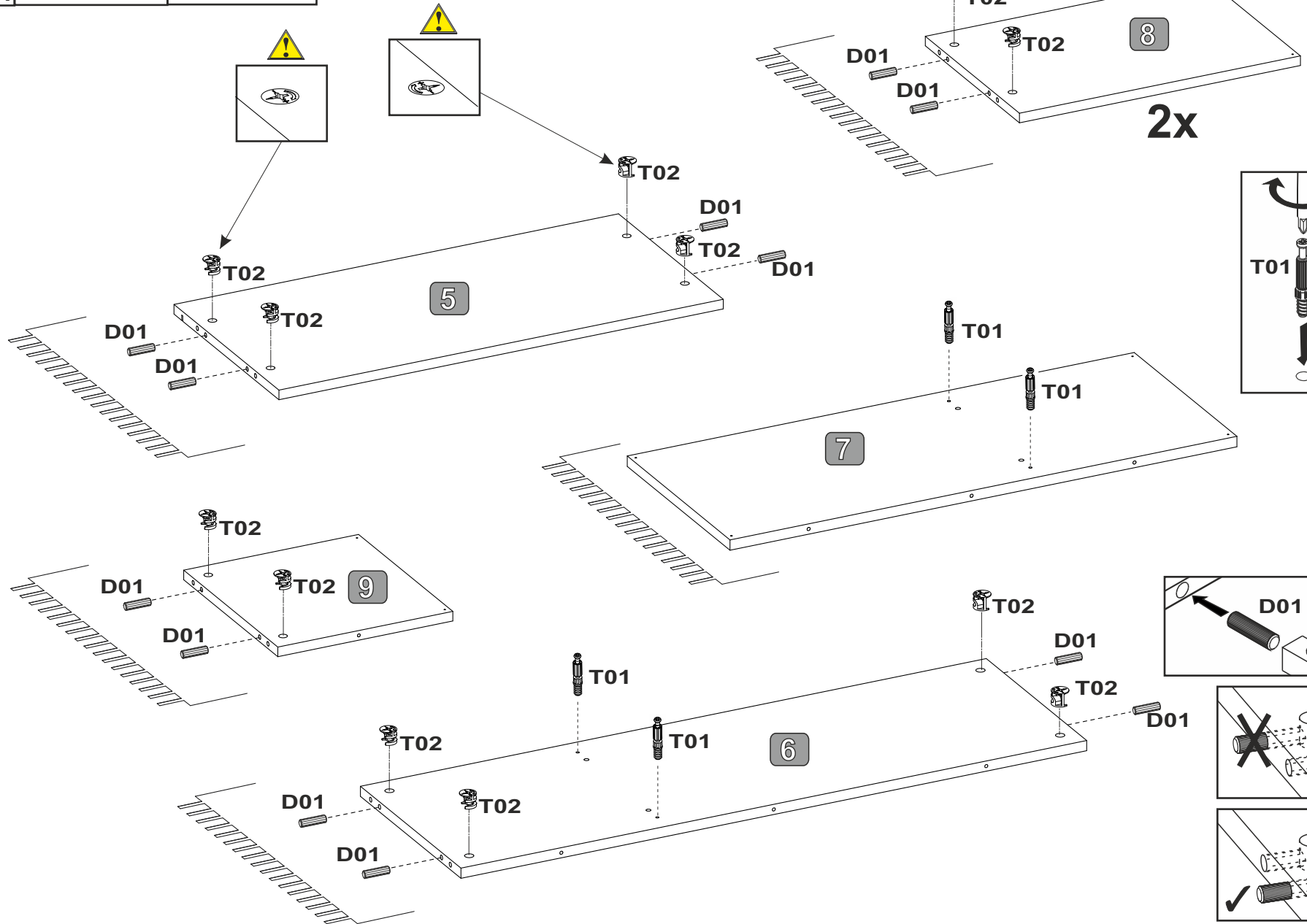
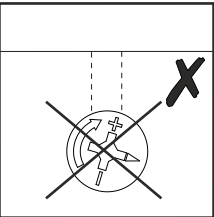
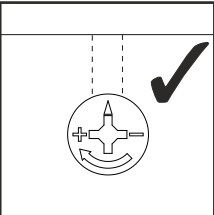
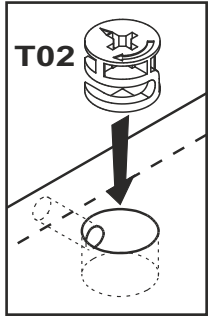


a=b

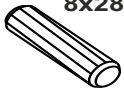
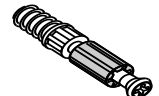
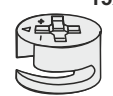
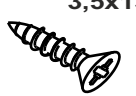
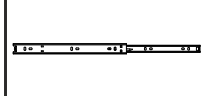


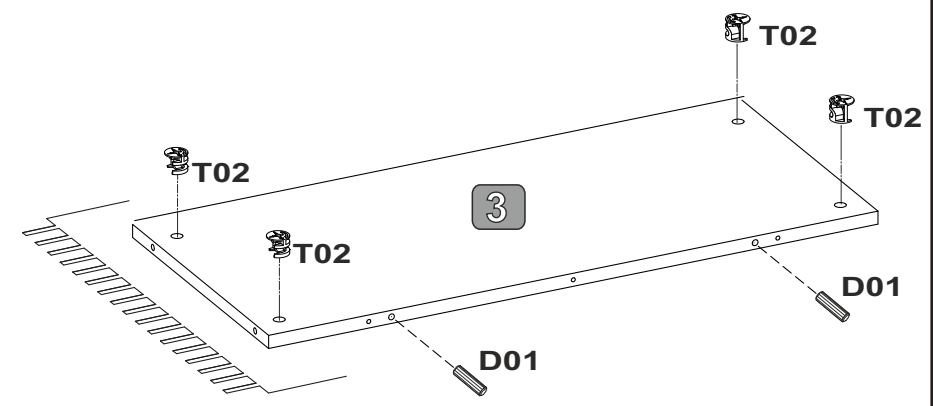
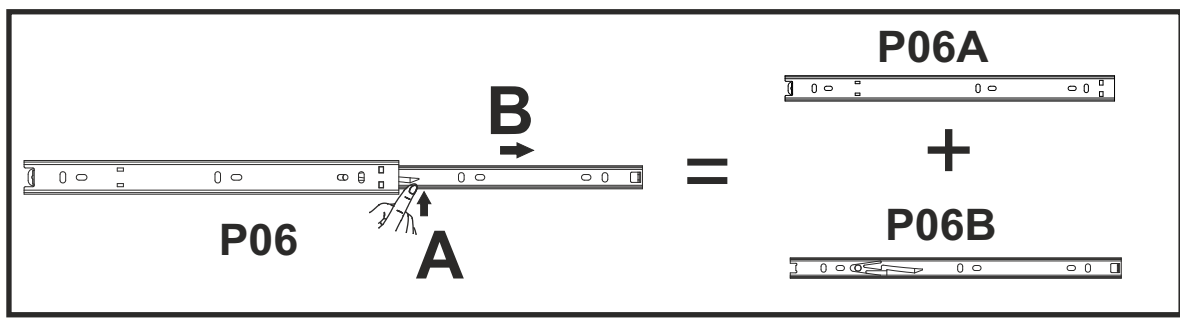
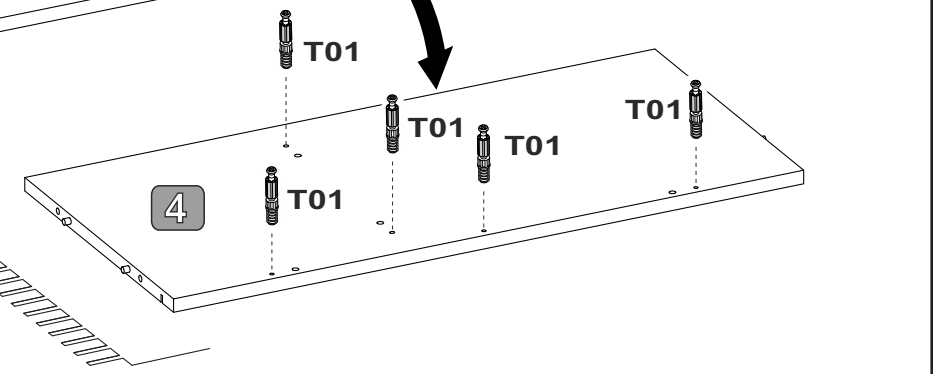
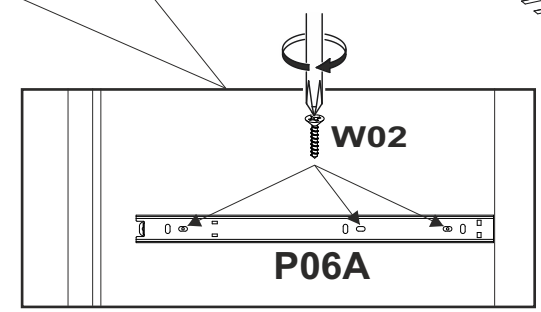
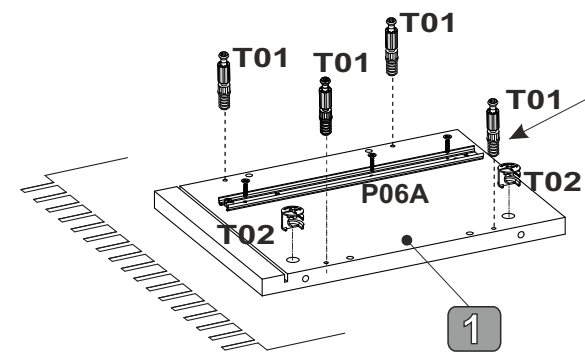
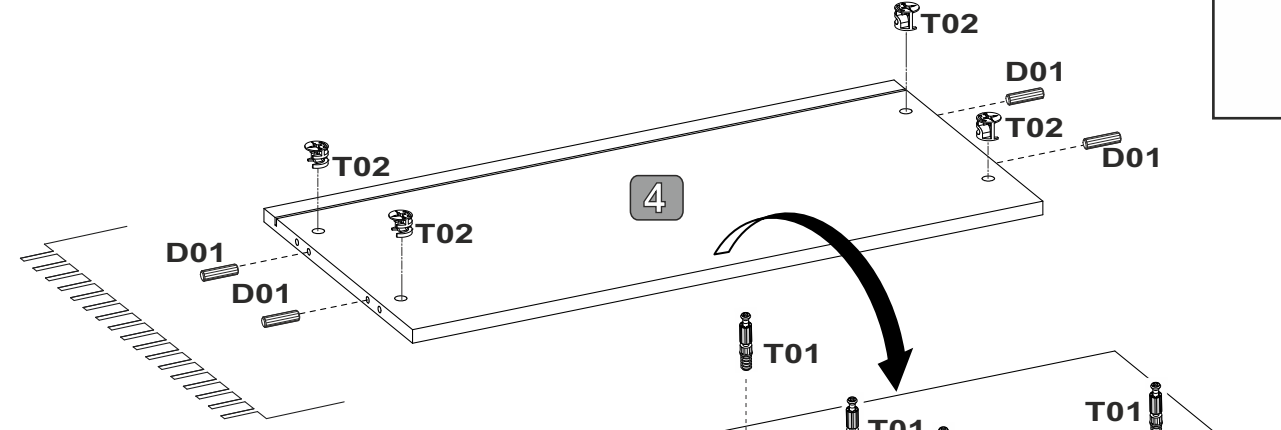
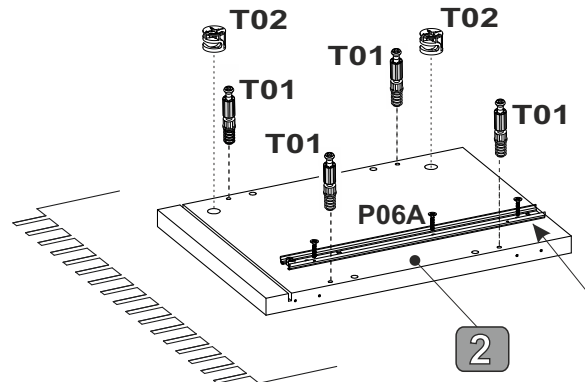
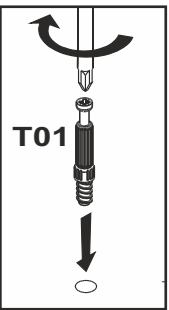
5

8x28 14x D01		15x12 4x T01		14x T02	
--------------------	--	--------------------	--	------------	--

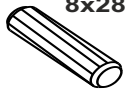
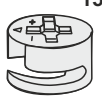



6

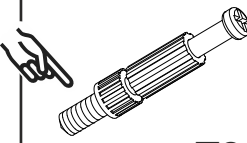
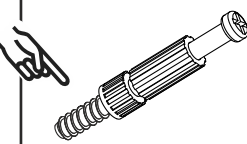
 8x28 6x D01	 13x T01	 15x12 12x T02	 3,5x13 6x W02	 2x P06
---	--	---	---	--

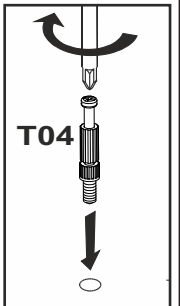
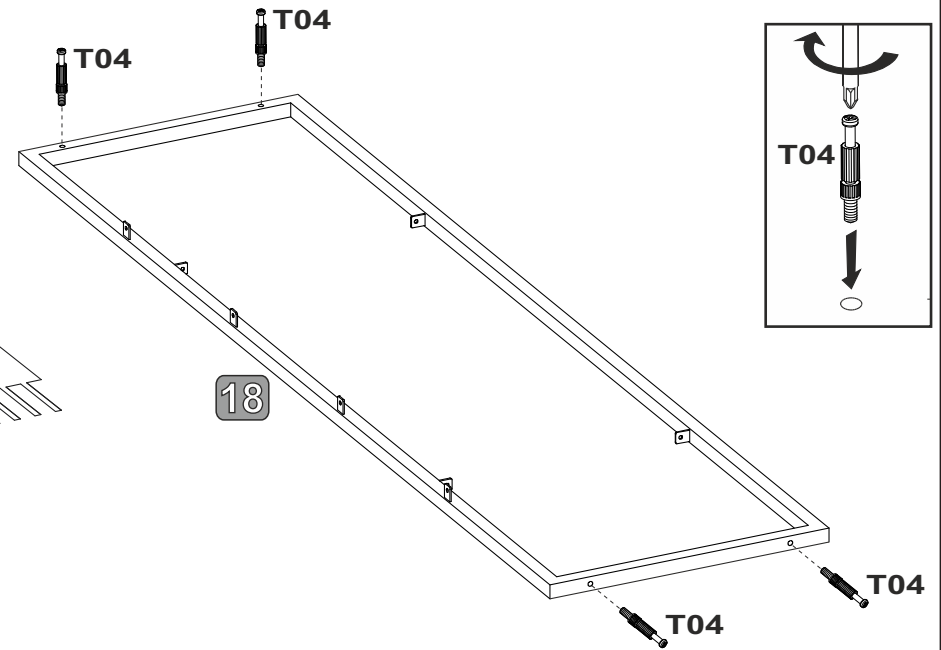
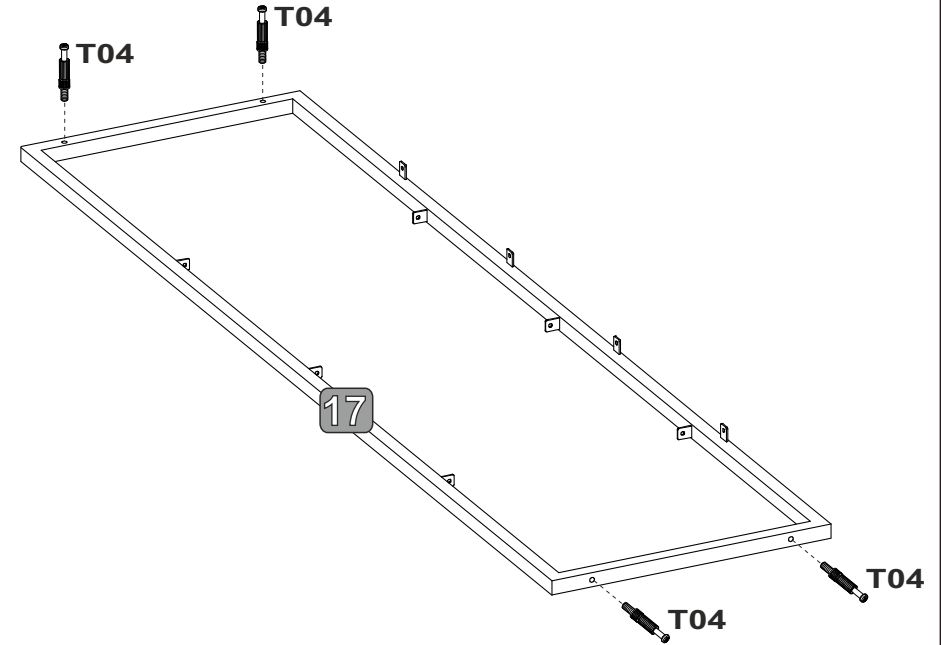
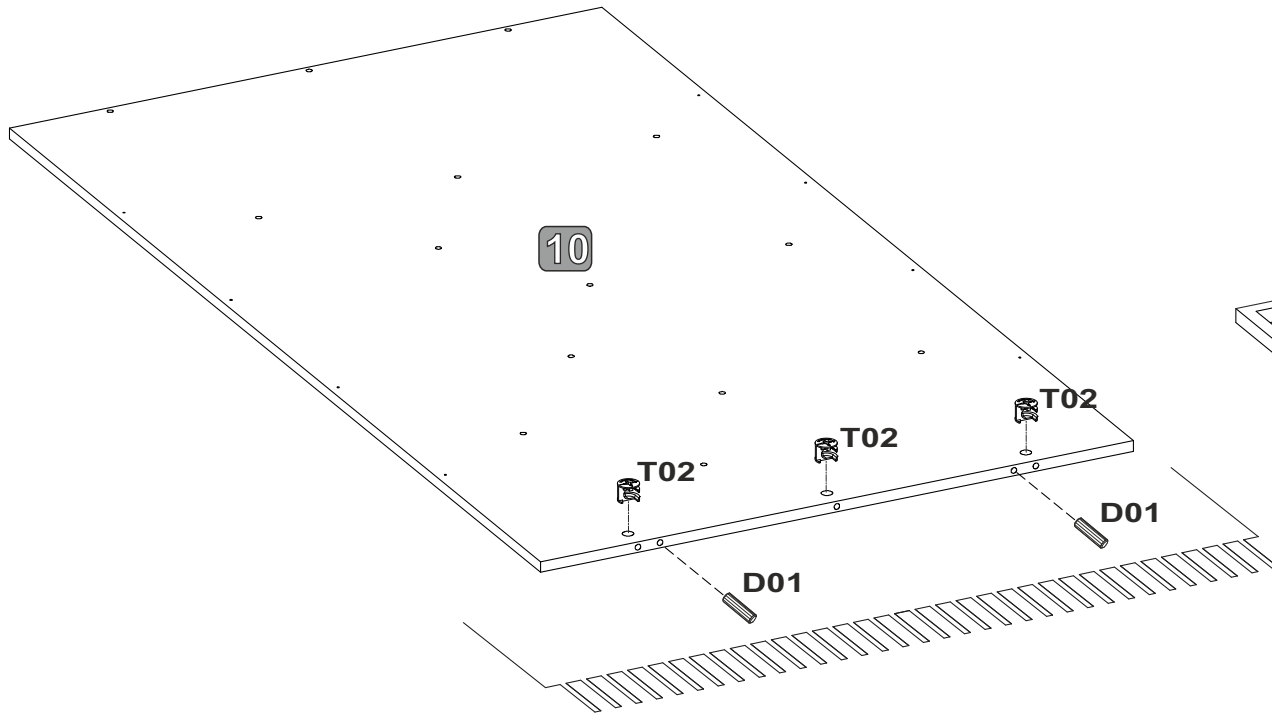


7

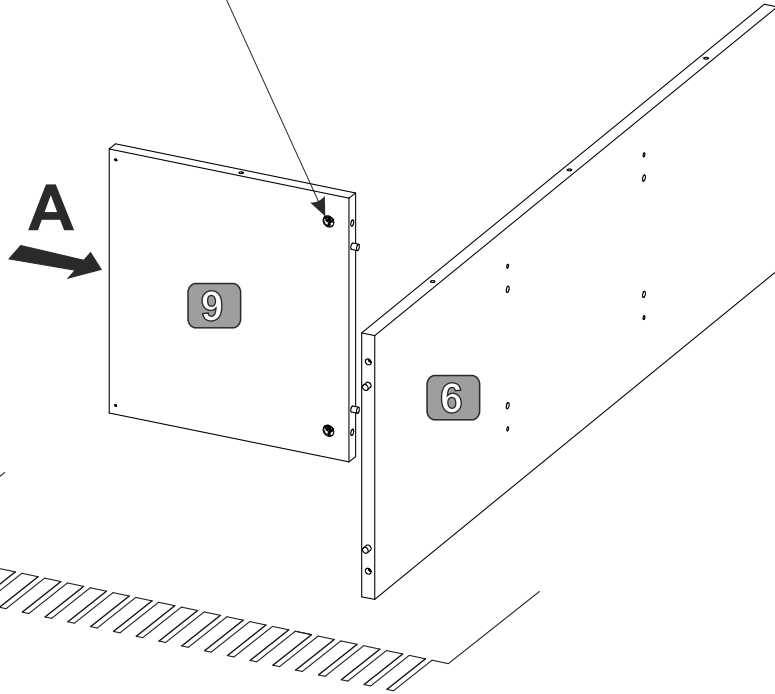
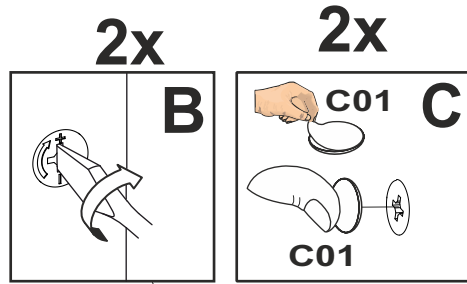
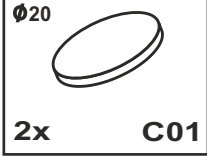
 8x28	 15x12	
2x D01	3x T02	8x T04



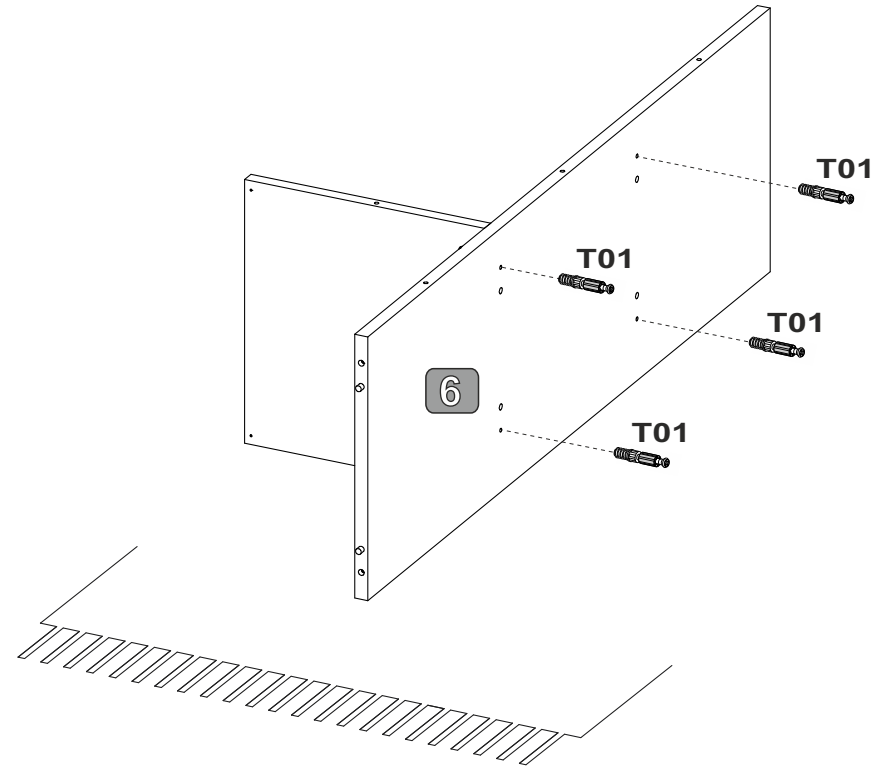
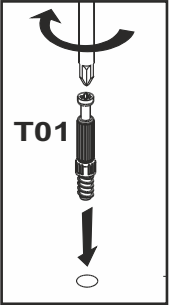
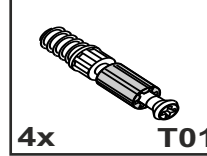
	T04
	T01



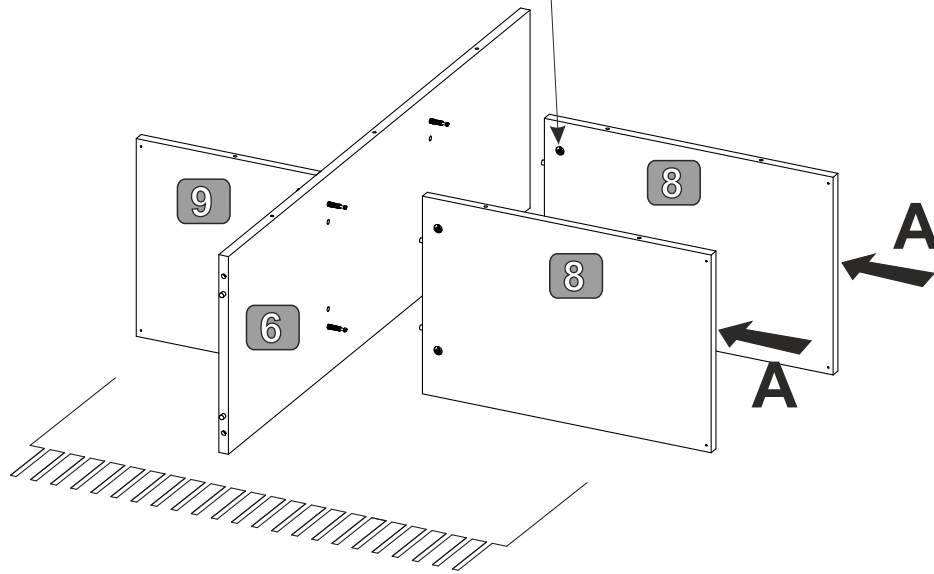
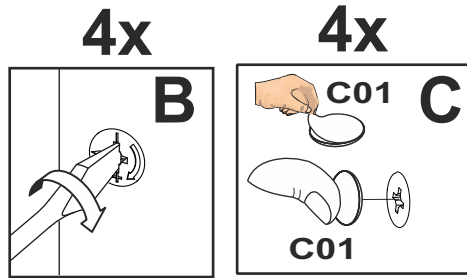
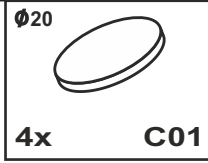
8



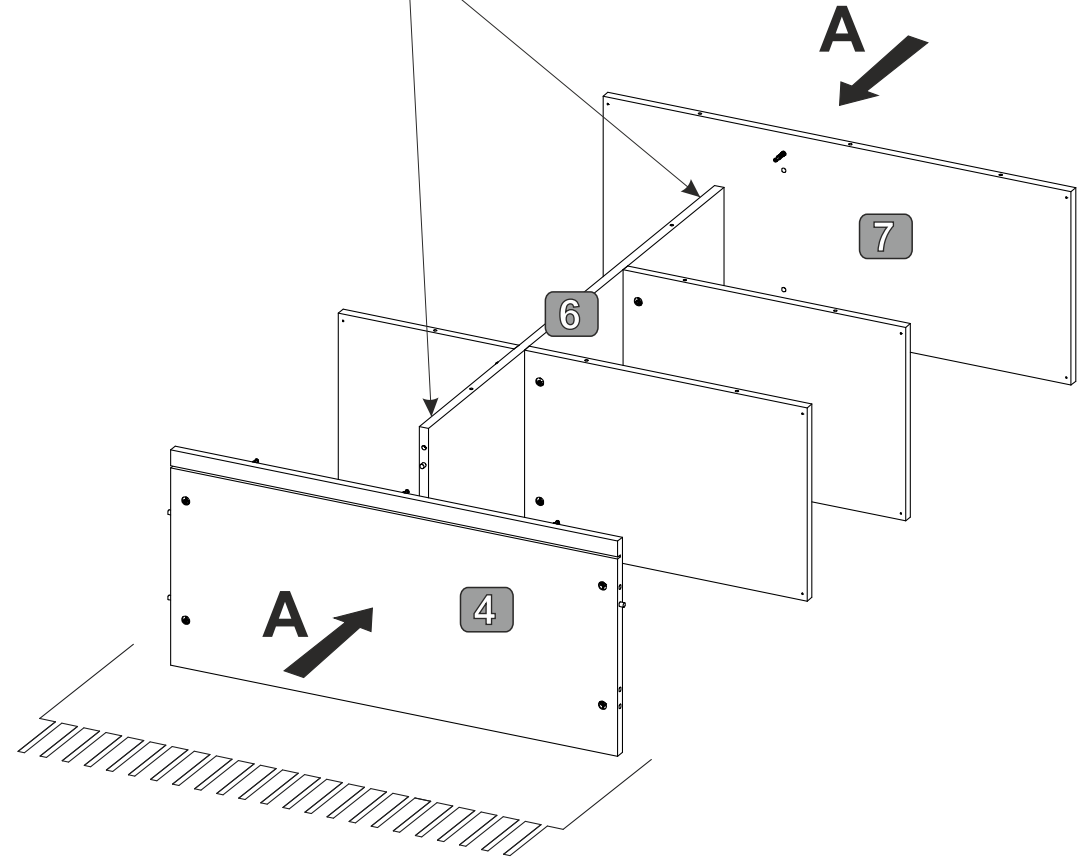
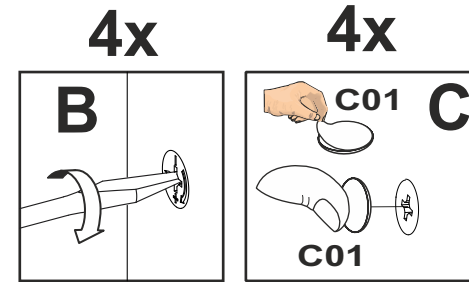
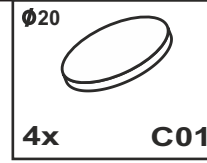
9



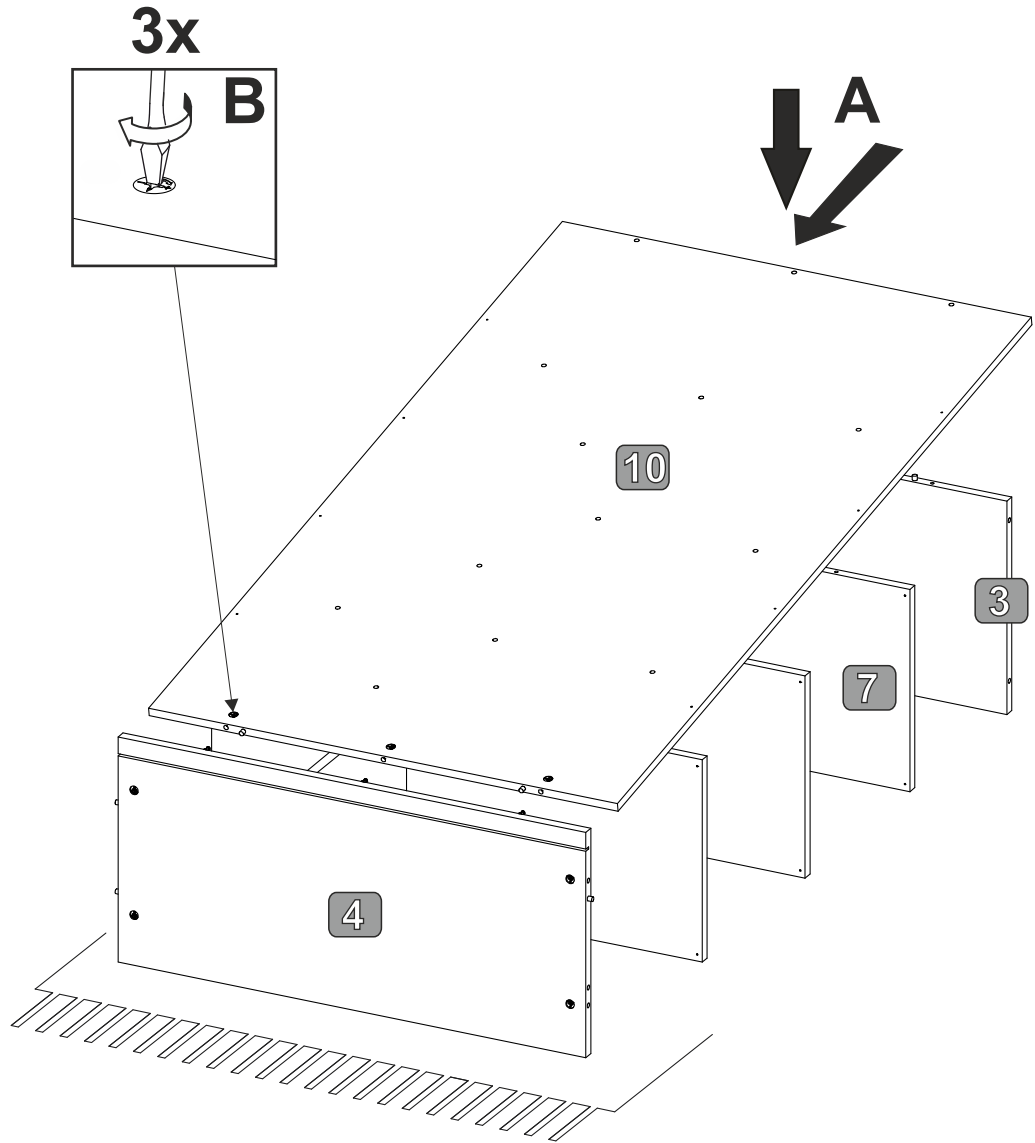
10



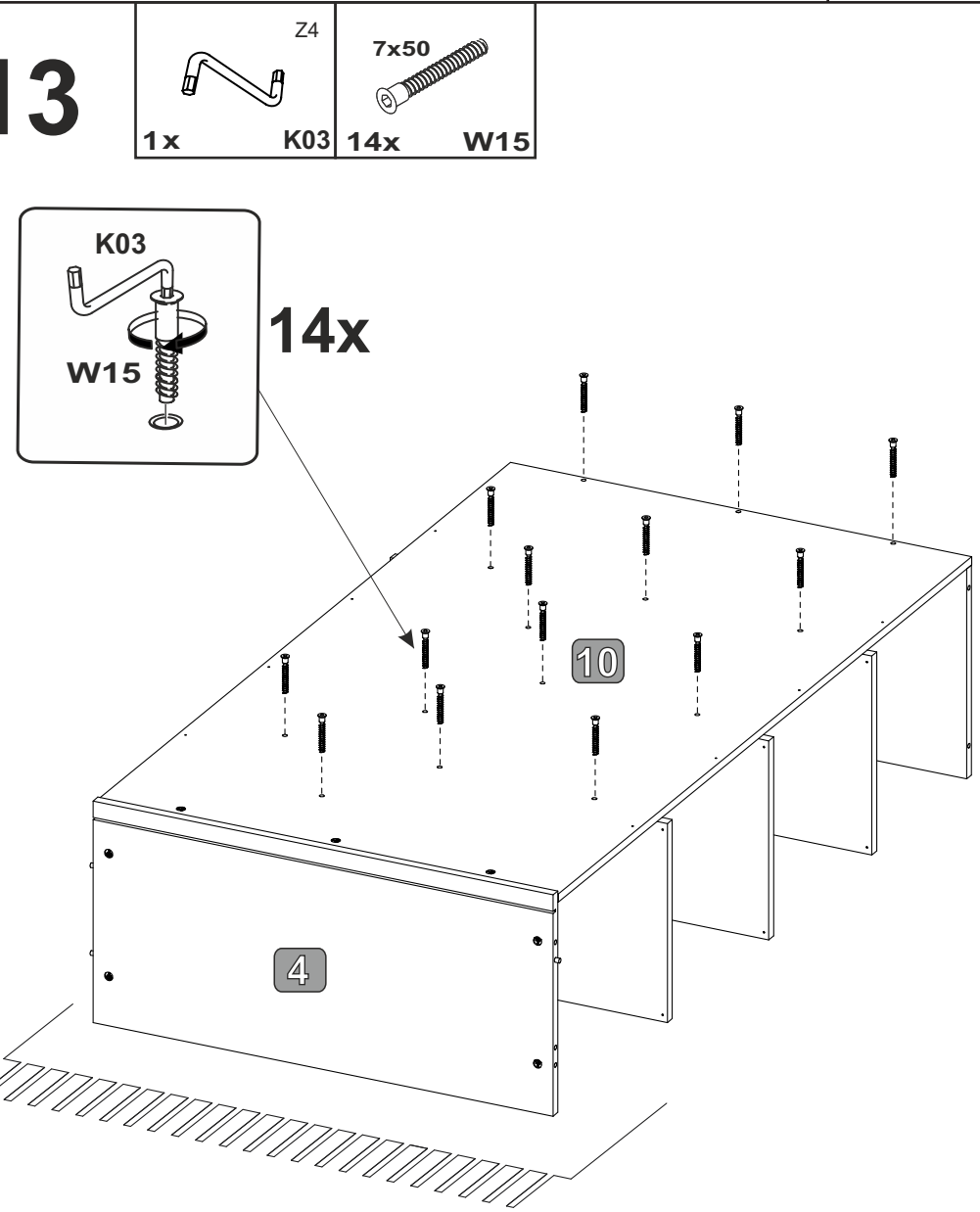
11



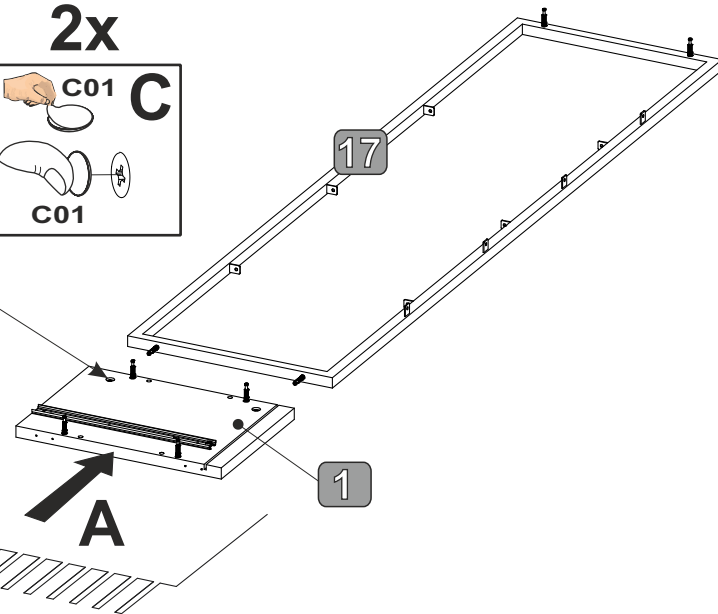
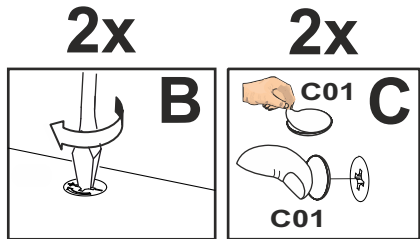
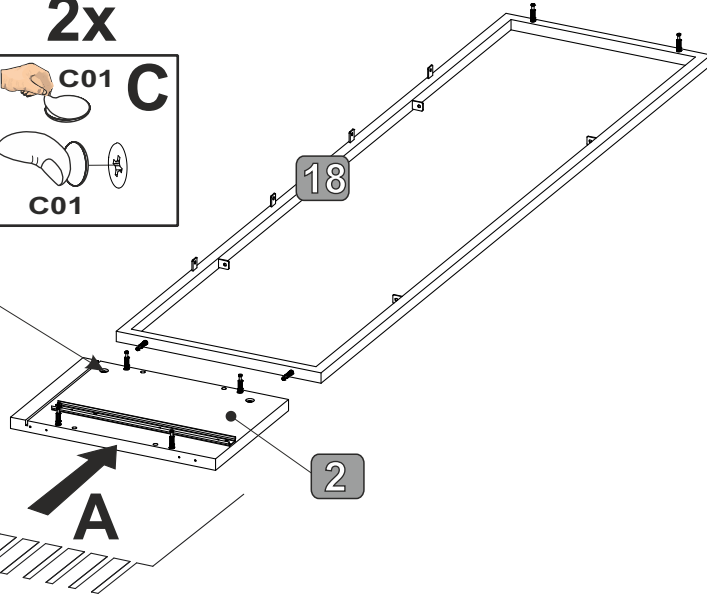
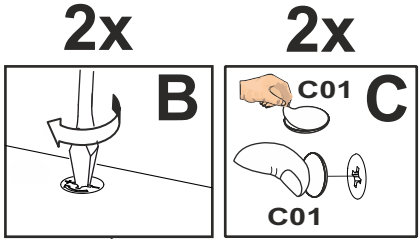
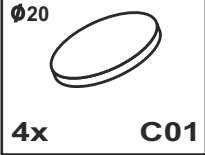
12



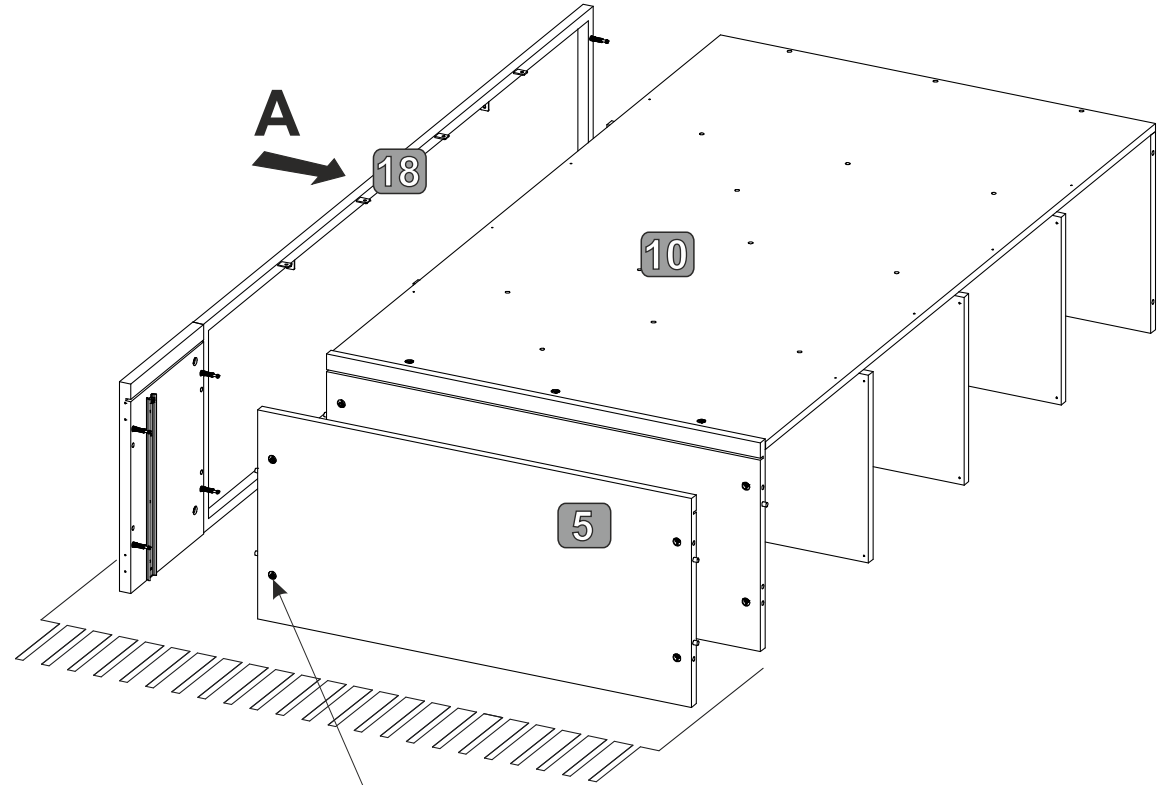
13



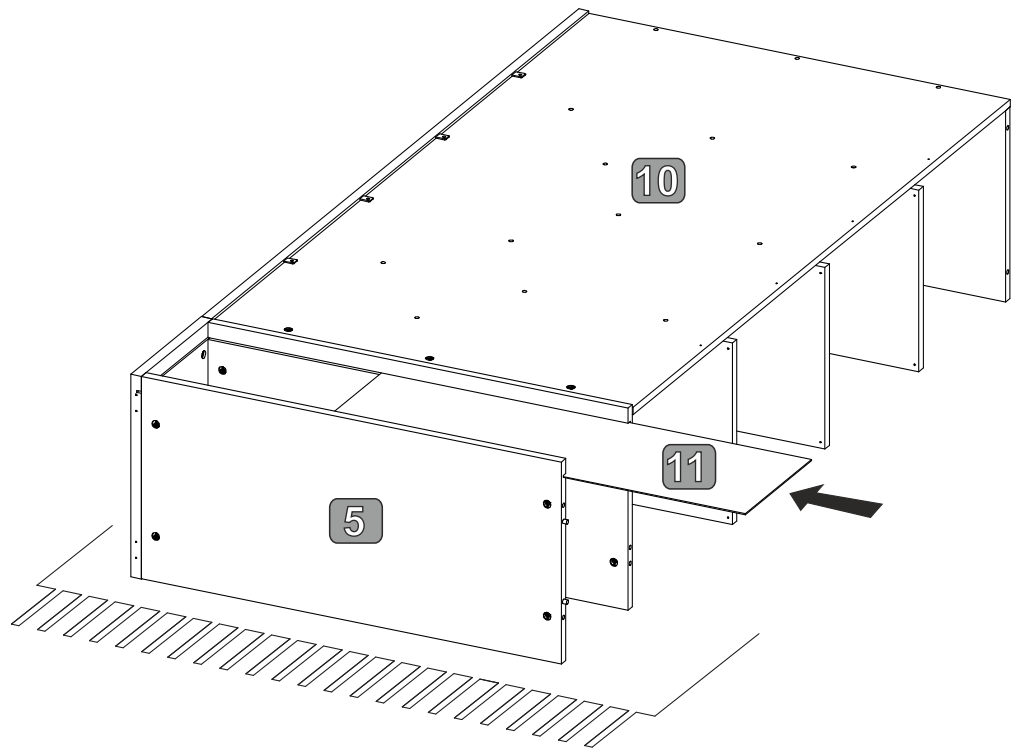
14



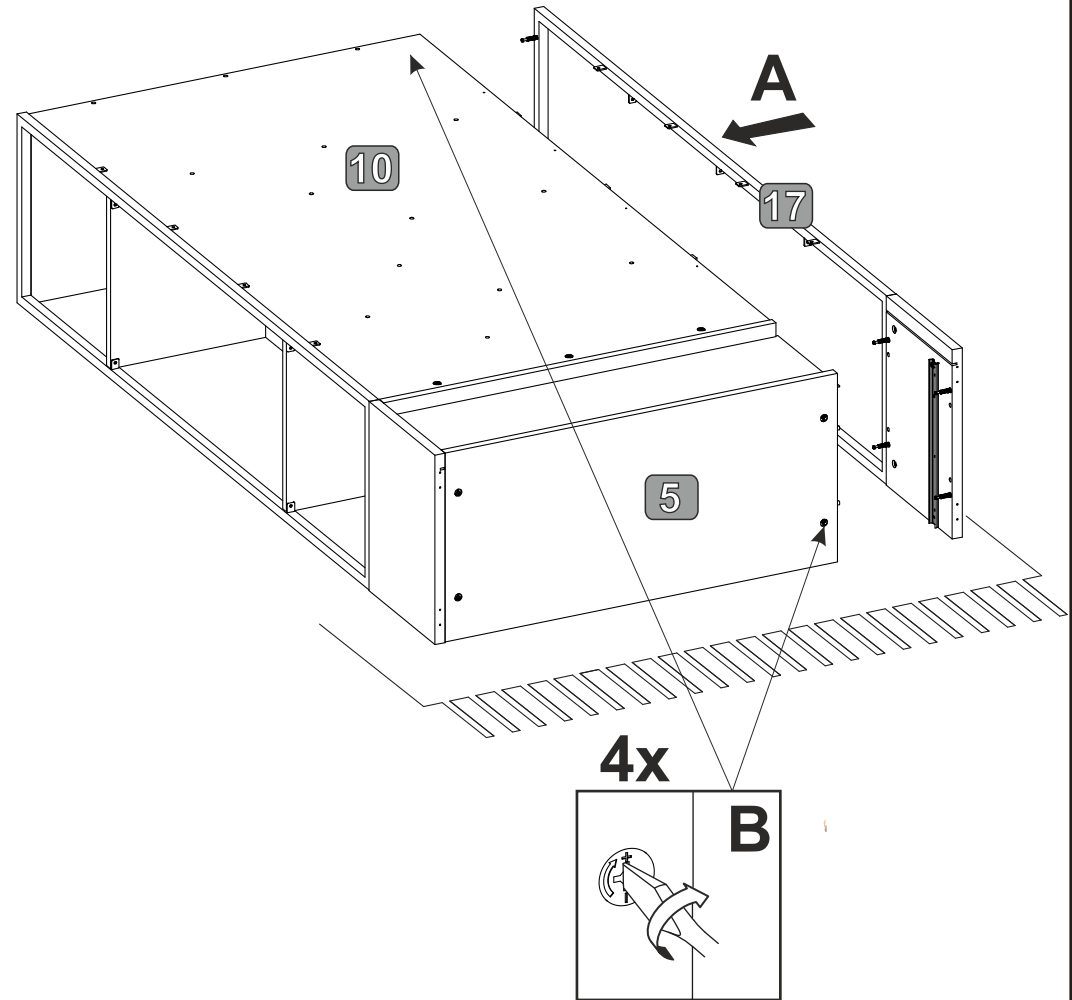
15



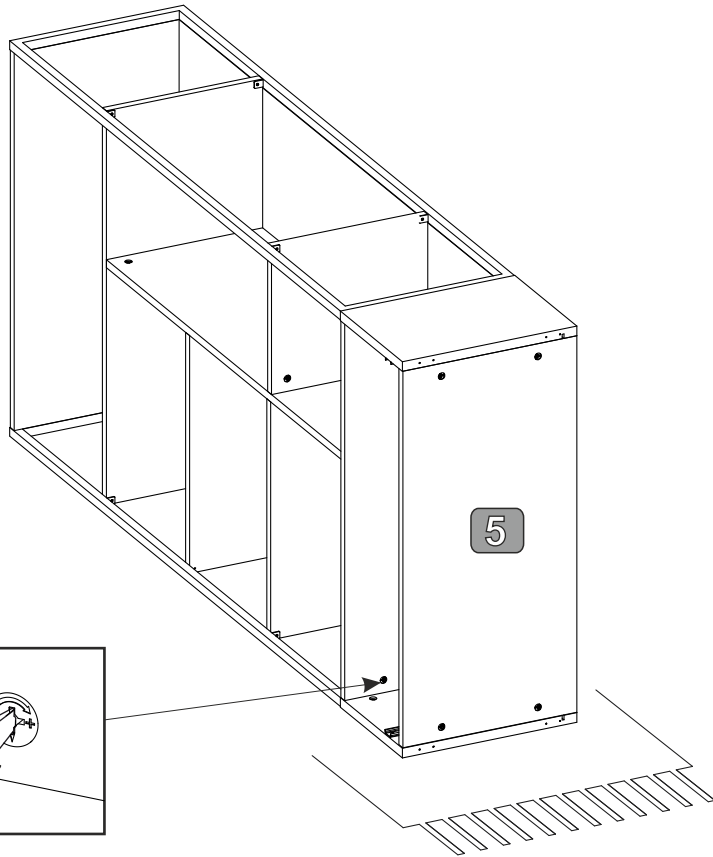
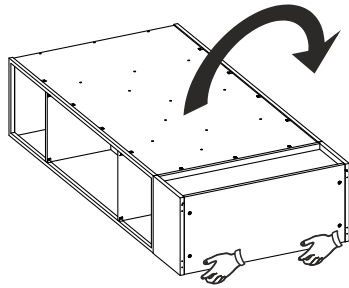
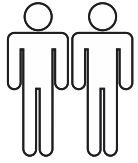
16



17

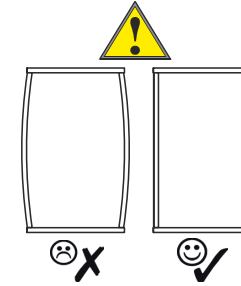
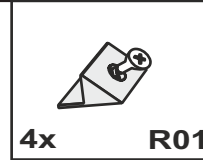


18

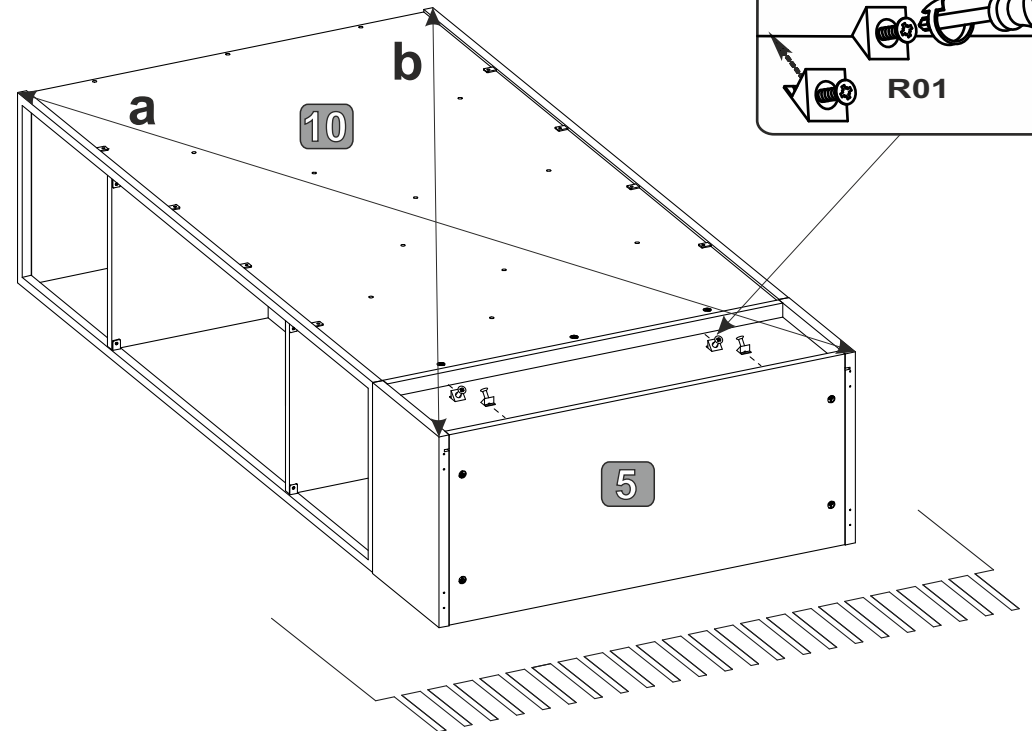


2x

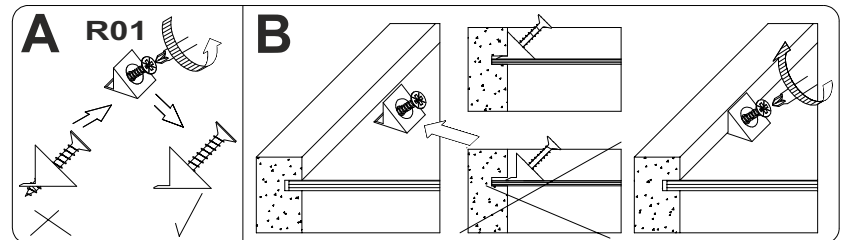
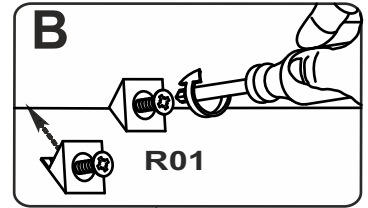
19



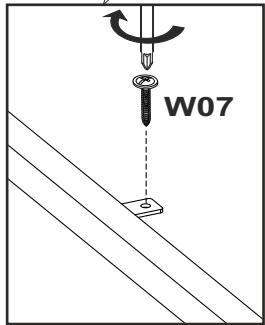
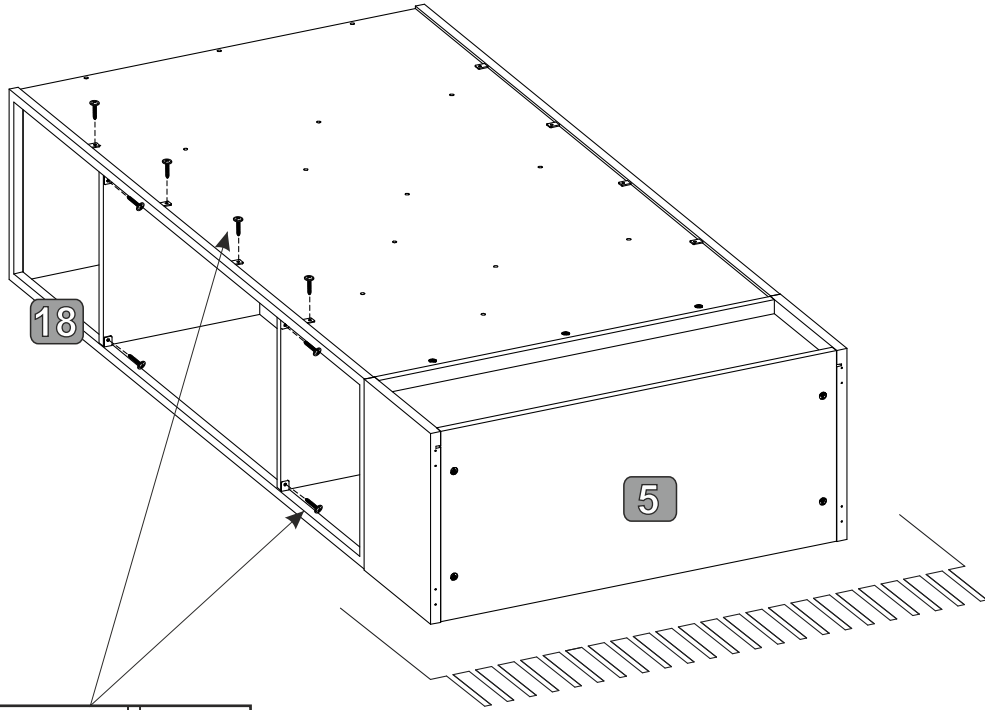
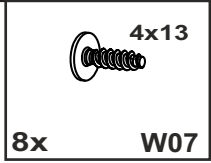
a=b



4x

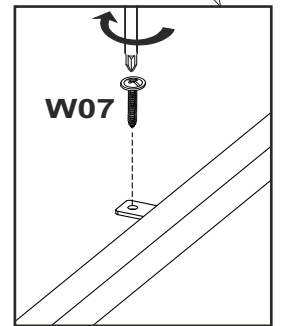
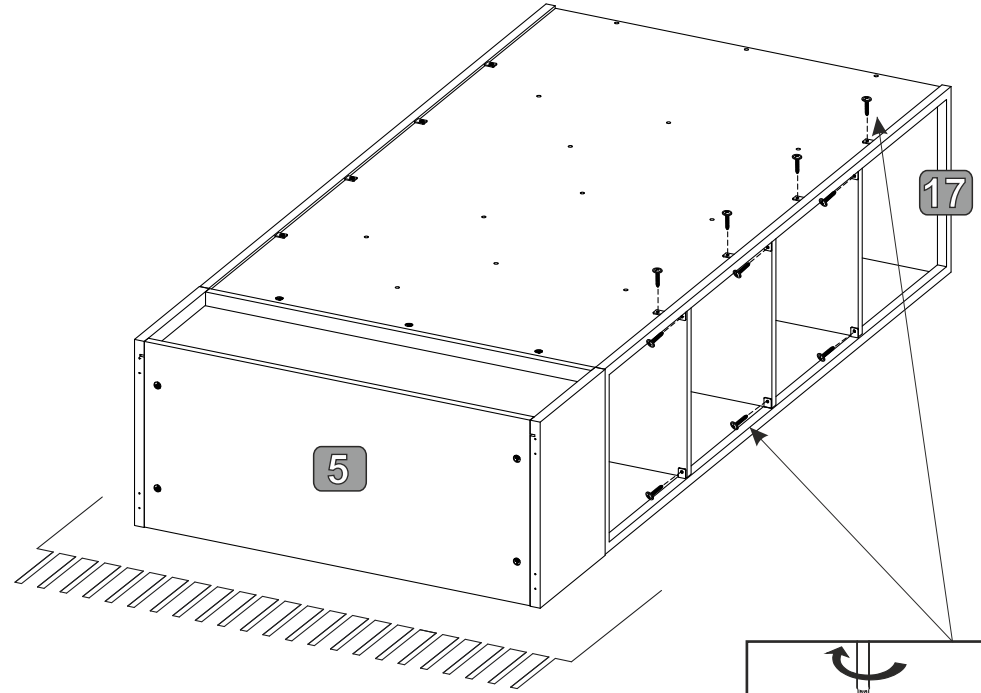
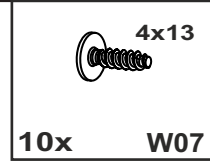


20



8x

21



10x

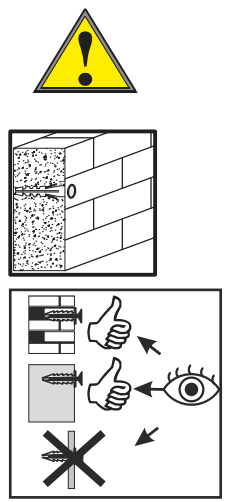
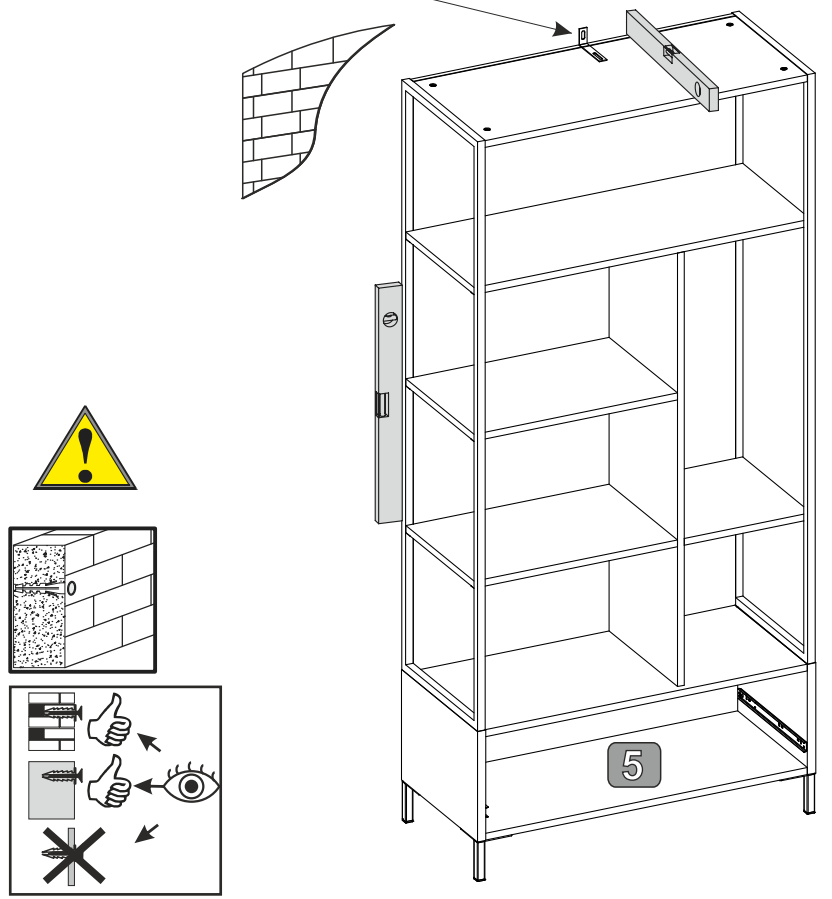
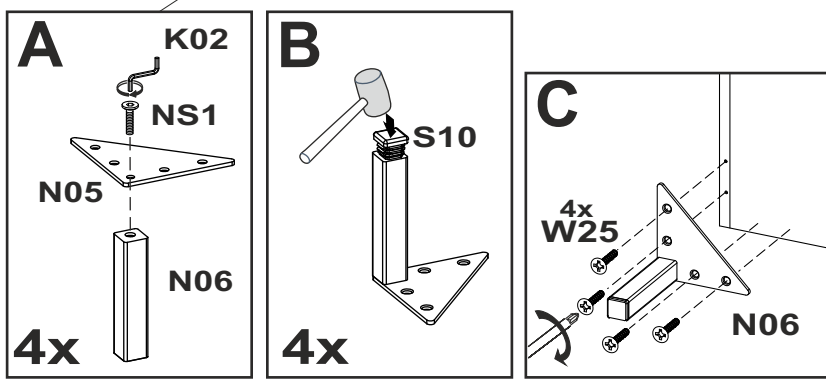
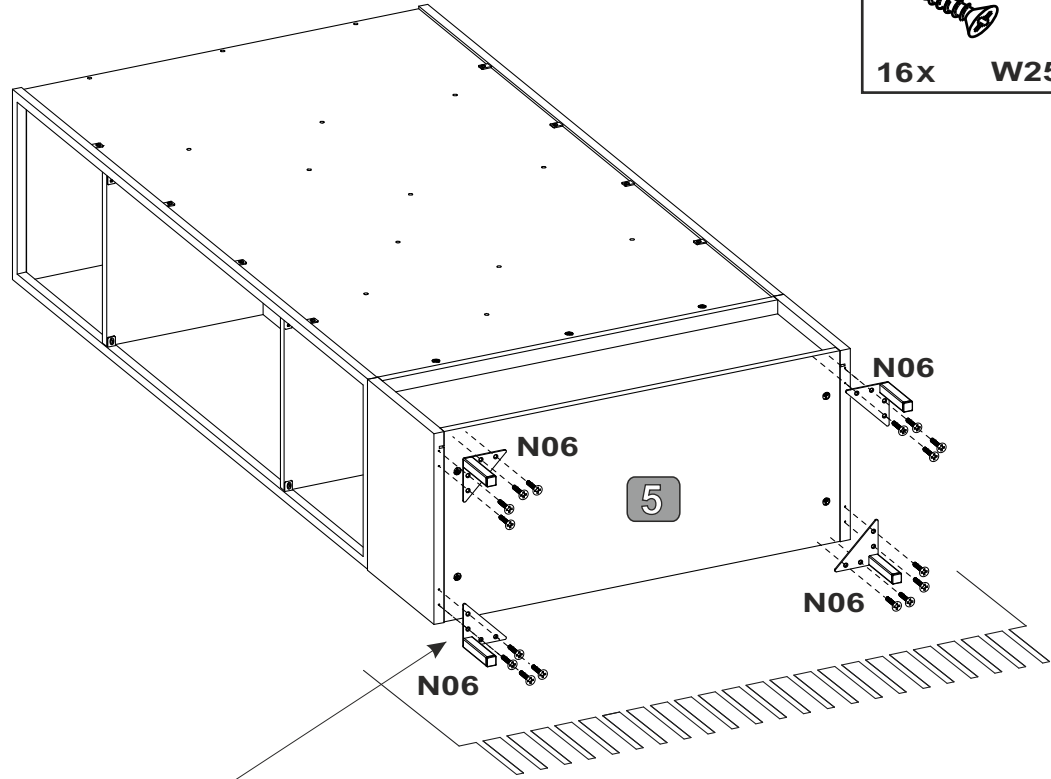
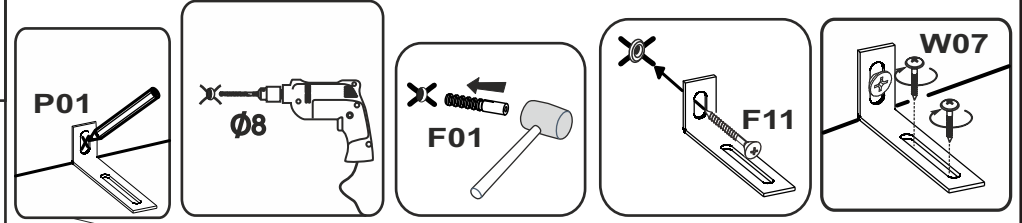
22

- 4x N06 (97mm)
- 4x S10
- 4x NS1 (M5-20)
- 4x N05
- 1x K02 (Z3)




- 16x W25 (4x16)

23

- 1x F11 (5x70)
- 1x F01
- 1x P01
- 2x W07 (4x13)



24

1x		2x		2x	
	S42		W28		W02

